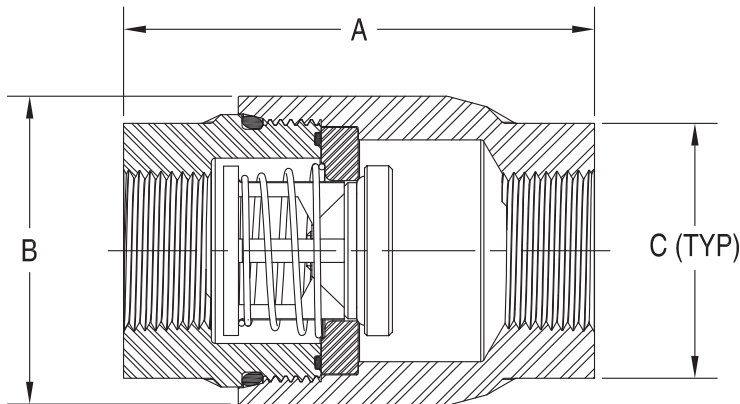




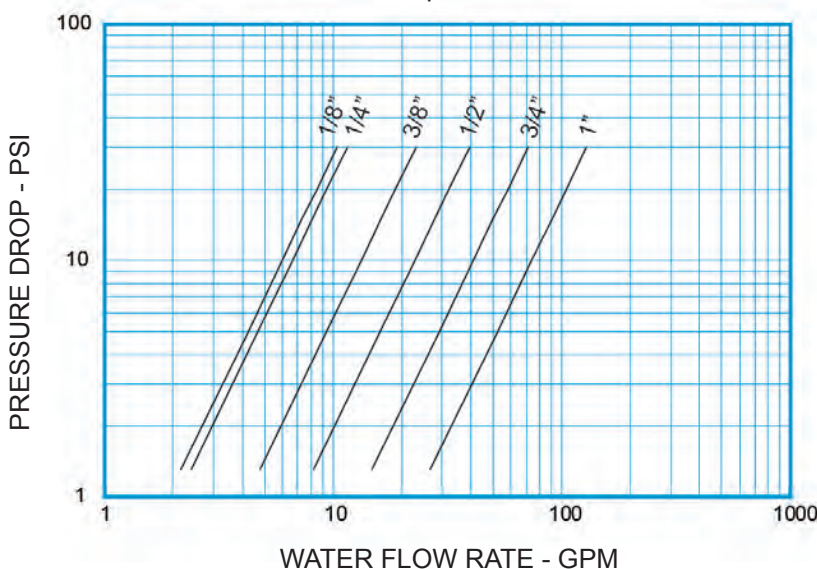
The **EPIC™ Female Pipe** valve is a poppet style check valve with female NPT threaded connections machined from 300 series stainless steel bar stock with Aflas® seat/seals and a 1/2-PSI stainless steel spring setting (cracking pressure) that can be installed in any flow orientation. This check valve achieves a high flow capacity and reduced pressure loss compared to other poppet style check valves of similar sized connections. Additionally, the **EPIC™** series incorporates a drop-in replaceable check mechanism (Replaceable Insert Kit sold separately) that is easily installed into the existing body without requiring additional assembly of separate checking components.

Due to the materials of construction, high flow capacity, field repairability and the quality customers have come to expect from Check-All®, the **EPIC™** check valves are uniquely suited for a very wide range of applications in liquids, gases and steam.



Nominal Pipe Size	A	O.D. B	Hex Ends C	Part Number
1/8	2.33	1-1/4	1-1/16	EPIC-0125FP
1/4	2.33	1-1/4	1-1/16	EPIC-0250FP
3/8	2.75	1-7/16	1-1/8	EPIC-0375FP
1/2	3.15	1-3/4	1-7/16	EPIC-0500FP
3/4	3.35	2	1-9/16	EPIC-0750FP
1	3.81	2-1/2	2-1/16	EPIC-1000FP

EPIC™ Female Pipe For Water at 72° F



Non-Shock Pressure-Temperature Rating
 Recommended service temperature for the **EPIC™** series is +10°F to 400°F. Pressure rating is 1500 psi from +10°F to 300°F and 1395 psi at 400°F.

Style EPIC™ Female Pipe C _v Values & Valve Weights			
SIZE	C _v	SS	Part Number
1/8	1.9	9.5 oz.	EPIC-0125FP
1/4	2.1	9.1 oz.	EPIC-0250FP
3/8	4.2	11.5 oz.	EPIC-0375FP
1/2	7.2	1.3 lb.	EPIC-0500FP
3/4	13.0	1.6 lb.	EPIC-0750FP
1	23.4	2.8 lb.	EPIC-1000FP

Valve weights are approximate.